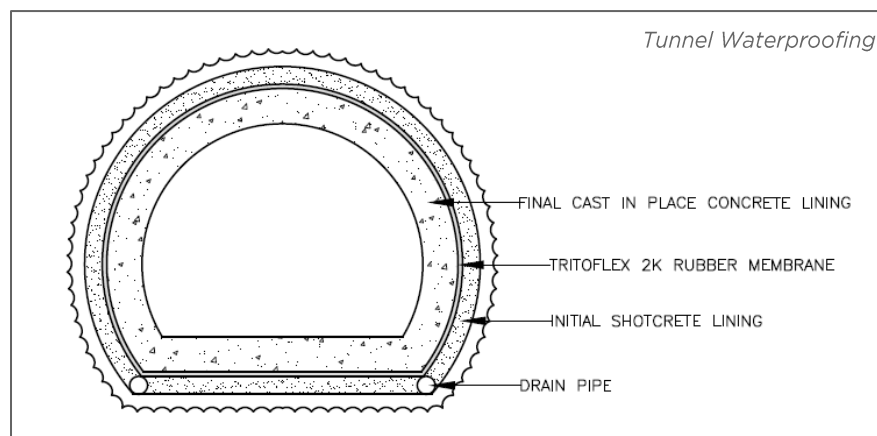
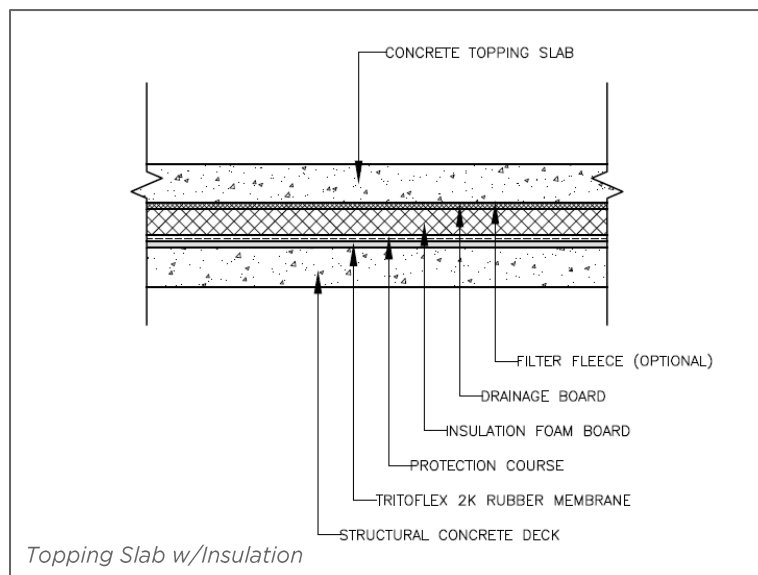


# INSTALLATION GUIDE

## TritoFlex 1K/2K Rubber - Warranty Options

Warranty Period*	15 Years		20 Years	
	Min Dry Mils	Coverage Rate	Min Dry Mils	Coverage Rate
TritoFlex 1K S or 2K Rubber	80	12 sf/gal	100	10 sf/gal



# INSTALLATION GUIDE

## TritoFlex 1K/2K Rubber System

The TritoFlex Rubber material is ideal for creating a durable, monolithic waterproofing membrane over any concrete substrate. TritoFlex withstands ponding water indefinitely and is cold spray-applied to any thickness in one coat. With extreme flexibility and strength, it withstands structural movements and heavy compression. For a split-slab application, such as parking garages or tunnels, it's the right choice.

### Advantages:

- ✓ Withstands ponding water indefinitely
- ✓ Sprayed to any thickness (2K)
- ✓ Water-based, no VOC's
- ✓ Rated for heavy impact
- ✓ Crack-bridging technology
- ✓ Extremely flexible and durable
- ✓ Cold spray-applied, no hot kettles or torches

## Quick Guide

### Inspection

- Check the existing substrate for areas of damage or deterioration that may need repaired
- If applying over concrete, check for moisture content using the plastic sheet method

### Preparation

- Pressure wash entire surface to ensure roof is free of moisture, loose dirt, oils, grease, and debris. If applying over new concrete, use high pressure blasting to clean the surface.
- Over concrete, apply TritoFlex 2K liquid with no accelerator or TritoFlex 1K S as a sealer and primer at 10 wet mils. Over existing roof substrates, refer to substrate-specific guidelines.

### Application

- Spray apply TritoFlex 2K at minimum mil thickness specified, starting at the low spots. Check for proper millage using the Triton mil thickness gauge. Re-spray spot where measurements are taken immediately to seal. If thickness was low, re-spray over area and measure again.

- If applying TritoFlex 1K S, spray apply with an approved airless sprayer in 4 coats at 40 wet mils per coat. Depending on temperature and humidity, dry time between coats is typically 3-4 hours.
- Apply TritoFlex 1K Brush-Grade Rubber to seal edges of flashings, 90-degree angles, curbs, pipes, and where any visual imperfections existing. Apply at 97 wet/60 dry mils
- If using TritoFlex 2K, after it has fully dried, rinse off dried surface accelerator and perform water flood test. TritoFlex 1K S does not need rinsed, but a flood test is recommended.
- Installation of specified components such as protection course, insulation board, drainage mat, etc. commences after the waterproofing is installed.
- Pour concrete topping slab directly over drainage board/protection course. In some situations, the topping slab is poured directly over the TritoFlex rubber membrane