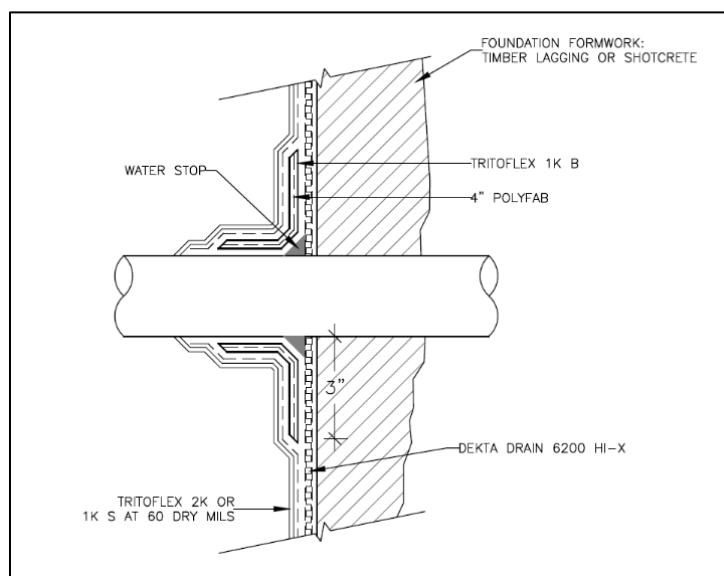
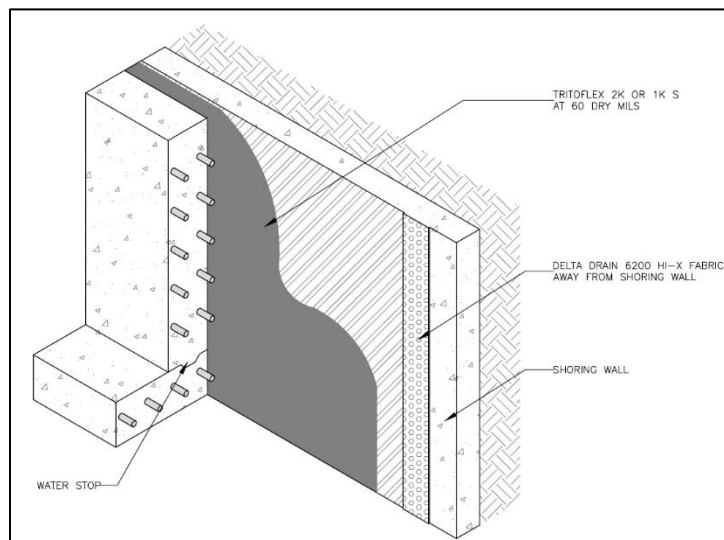


INSTALLATION GUIDE

TritoFlex 1K/2K Rubber - Warranty Options

Warranty Period*	5 Years		10 Years	
	Min Dry Mils	Coverage Rate	Min Dry Mils	Coverage Rate
TritoFlex 1K S or 2K Rubber	60	16 sf/gal	80	12 sf/gal



INSTALLATION GUIDE

TritoFlex 1K/2K Rubber System

The TritoFlex Rubber material is ideal for creating a durable, seamless waterproofing membrane and impermeable vapor barrier in blindside assemblies. TritoFlex withstands ponding water indefinitely and is cold spray-applied with no VOC's or solvents. With extreme flexibility and strength, it withstands structural movements and heavy compression. Combined with a high performance drainage mat, this is the ideal blindside waterproofing solution.

Advantages:

- ✓ Withstands ponding water indefinitely
- ✓ Sprayed to any thickness (2K)
- ✓ Water-based, no VOC's
- ✓ High impact and puncture resistance
- ✓ Crack-bridging technology
- ✓ Extremely flexible and durable
- ✓ Flexible in sub-zero temps
- ✓ Cold spray-applied, no hot kettles or torches

Quick Guide

Inspection

- Check the existing substrate for areas of damage or deterioration that may need repaired
- Check updated architectural specifications supplied by Triton to confirm all install requirements

Preparation

- Install approved drainage mat against the shoring wall, fastening with a pin and washer every 4-5 feet on a horizontal and vertical grid pattern, spacing dependent on site conditions.

Application

- Seal penetrations with TritoFlex 1K B and polyester fabric with 3-course method, per specifications, after installation of water stop around base of pipe penetrations and wherever else required.
- Spray apply TritoFlex 2K to the fabric face of the drainage mat at minimum mil thickness specified, working bottom to top. Check for proper millage using the Triton mil thickness gauge. Re-spray spot where measurements are

taken immediately to seal. If thickness was low, re-spray over area and measure again.

- If applying TritoFlex 1K S, spray apply with an approved airless sprayer in minimum 2 coats at maximum 50 wet mils per coat. Depending on temperature and humidity, dry time between coats is typically 4-6 hours.
- Apply TritoFlex 1K B Rubber to seal edges of flashings, 90-degree angles, curbs, pipes, and where any visual imperfections existing. Apply at 97 wet/60 dry mils
- Installation of specified components such as protection course, insulation board, or shotcrete commence after waterproofing membrane is fully dry and cure.
- Ensure membrane is fully protected from subsequent construction work.