

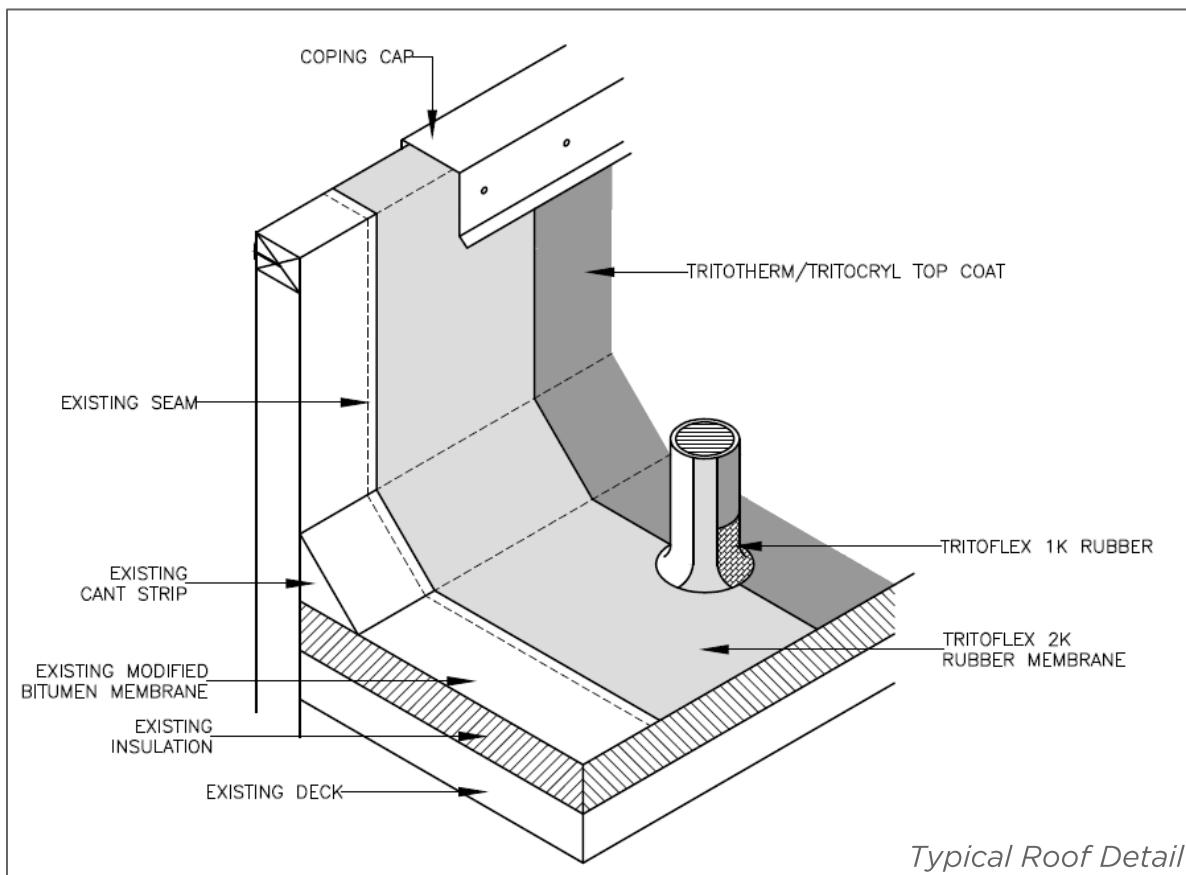
Modified Bitumen & Smooth BUR Roofs \

RESTORATION GUIDE

TritoFlex™ 2K Rubber – Warranty Options

| Warranty Period | 10 Years | | 15 Years | | 20 Years | |
|---------------------|--------------|---------------|--------------|---------------|--------------|---------------|
| | Min Dry Mils | Coverage Rate | Min Dry Mils | Coverage Rate | Min Dry Mils | Coverage Rate |
| TritoFlex 2K Rubber | 60 | 17 sf/gal | 60 | 17 sf/gal | 80 | 12 sf/gal |
| Top Coat | 20* | 50 sf/gal | 20 | 50 sf/gal | 30 | 35 sf/gal |
| Granulated 1K | 10 | - | - | - | - | - |

*Acrylic top coat is required for any warranty in DOE Zones 1-4



RESTORATION GUIDE

TritoFlex™ 2K Rubber Recover System

The TritoFlex 2K seamless rubber roofing system is ideal for restoring existing Modified Bitumen or Smooth BUR roof systems when they are worn-out and leaking. Using a liquid membrane recover avoids a costly, disruptive tear-off. At only 8 oz/sf, TritoFlex is lightweight and applied quickly. The liquid rubber product forms a new thick, durable, fully-adhered, and monolithic waterproofing membrane over the existing roof without needing thousands of screws or glue.

Advantages:

- ✓ Roof can be renewed indefinitely
- ✓ Non-disruptive and odor-free installation
- ✓ Membrane applied in one coat
- ✓ Instantly rain-ready
- ✓ 1200% elongation, with 575 psi tensile strength
- ✓ Remains flexible in sub-zero temps
- ✓ FM tested and approved
- ✓ Seamless, self-terminating
- ✓ Extremely durable and long-lasting

Quick Guide

Inspection

- Check the existing membrane for areas of damage or deterioration
- Scan the insulation for moisture content. In most cases, saturated insulation must be cut-out and replaced
- Check for proper adequate slope and proper drainage

Preparation

- Remove any wet or saturated areas of insulation. Repair with new insulation and self-adhering modified bitumen.
- Pressure wash entire surface to ensure roof is free of moisture, loose dirt, oils, grease, and debris
- Install one-way vents over the existing membrane, on top of the insulation, every 1,200 sf
- Cut-out existing blisters greater than 6" and repair with self-adhering Mod-Bit
- Fish-mouthed seams, large gaps, and voids must be repaired or patched with TritoFlex 1K Brush-Grade (allow to fully cure for 24 hours)
- Remove all loose granules from the surface

Application

- Spray apply TritoFlex 2K at minimum mil thickness specified, starting at the drains or low spots. Check for proper millage using the Triton mil thickness gauge. Re-spray spot where measurements are taken immediately to seal. If thickness was low, re-spray over area and measure again.
- Spray seam-to-seam to ensure consistent coverage and, in most cases, spray TritoFlex 2K "into" the membrane seams.
- After membrane has fully dried, rinse off dried surface accelerator.
- Apply TritoFlex 1K Brush-Grade to seal edges of flashings, 90-degree angles, curbs, pipes, and where any visual imperfections existing. Apply at 97 wet/60 dry mils.
- After TritoFlex 1K Brush-Grade is fully cured, apply first coat of TritoCryl or TritoTherm reflective top coat. If spraying, back-roll the first coat and apply to 15 wet/10 dry mils. When using TritoCryl 2K, only one coat is needed.
- Apply second coat of top coat to 15 wet/10 dry mils. Prevent water from ponding for 48 hours.
- If applying a granulated top coat, embed 50 lbs. of granules every 100 sf into a wet 15 mil layer of TritoFlex 1K Spray-Grade