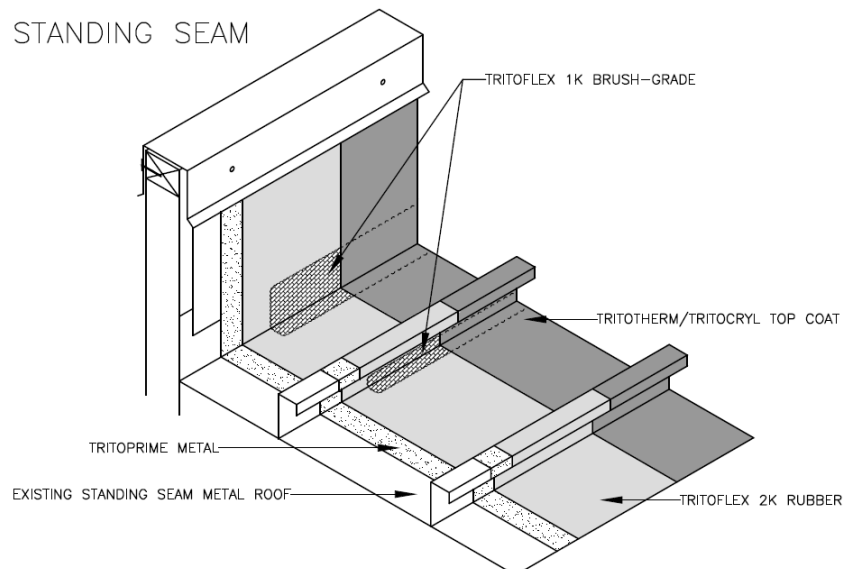
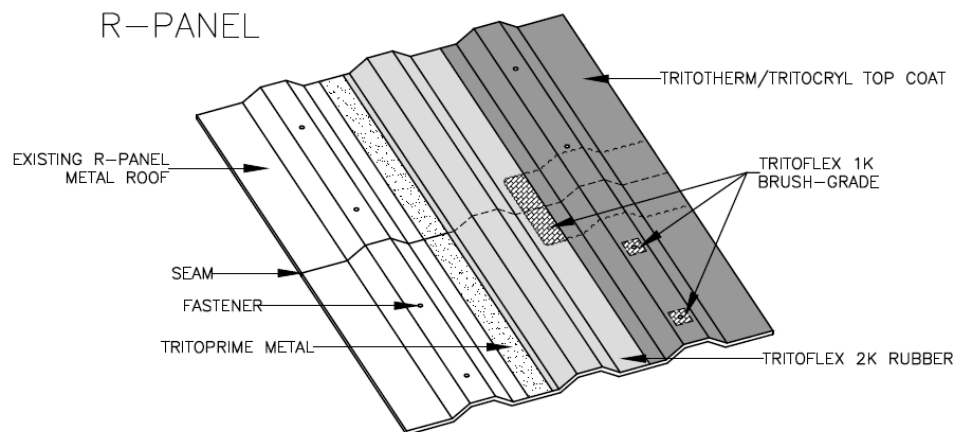


RECOVER GUIDE

TRITOFLEX™ 2K Rubber – Full Roof Recover System

Warranty Period	10 Years		15 Years		20 Years	
	Min Dry Mils	Coverage Rate	Min Dry Mils	Coverage Rate	Min Dry Mils	Coverage Rate
<i>TritoFlex 2K Rubber</i>	60	16 sf/gal	60	16 sf/gal	80	12 sf/gal
<i>Top Coat</i>	20*	50 sf/gal	20	50 sf/gal	30	35 sf/gal

*Acrylic top coat is required for any warranty in DOE Zones 1-4



RECOVER GUIDE

TRITOFLEX™ Liquid Roof Recover System

The TritoFlex 2K seamless rubber roofing system is ideal for recovering all types of metal, steel, or zinc roofs when they are worn-out and leaking. Using a liquid recover avoids costly, disruptive tear-offs. At only 8 oz/sf, TritoFlex is lightweight and applied quickly. The liquid rubber product forms a thick, durable, fully-adhered, and monolithic membrane that conforms to joints, fasteners, flashings, and other awkward shapes. When finished with the TritoCryl™ or TritoTherm™ top coat, it becomes a highly energy-efficient roof as well.

Advantages:

- ✓ Roof can be renewed indefinitely
- ✓ Non-disruptive and odor-free installation
- ✓ Prevents future rust and corrosion
- ✓ Instantly rain-ready
- ✓ 1200% elongation, with 575 psi tensile strength
- ✓ Remains flexible in sub-zero temps
- ✓ FM tested and approved
- ✓ Seamless, self-terminating
- ✓ Reduce thermal shock
- ✓ Warranty covers ponding and large hail

Quick Guide

Inspection

- Check the existing membrane for areas of damage or deterioration
- Check for proper adequate slope and proper drainage

Preparation

- Seam gaps of 1/8" or more should be stitched as tight as possible
- Loose screws must be replaced with oversized fasteners
- Pressure wash entire surface to ensure roof is free of moisture, loose dirt, grease, and debris.
- HVAC condensate drains shall be properly routed to roof drains or plumbed off roof

Application

- Spray apply TritoFlex 2K at minimum mil thickness specified, starting at the lowest points of the roof. Check for proper millage using the Triton mil thickness gauge. Re-spray spot where

measurements are taken immediately to seal. If thickness was low, re-spray over area and measure again.

- Apply TritoFlex 1K Brush-Grade as an additional sealant on flashings, seams, 90-degree angles, curbs, pipes, and where any visual imperfections existing. Apply at 97 wet/60 dry mils.
- After TritoFlex products have fully cured and dried, rinse off dried surface accelerator.
- After surface is fully dried, apply first coat of TritoCryl 1K/2K or TritoTherm reflective top coat. If spraying one-component, back-roll the first coat and apply to 15 wet/10 dry mils.
- When using TritoCryl 2K as the top coat, only one coat at 30 wet/20 dry mils is needed.
- Apply second coat of top coat to 15 wet/10 dry mils. Prevent water from ponding for 48 hours.