

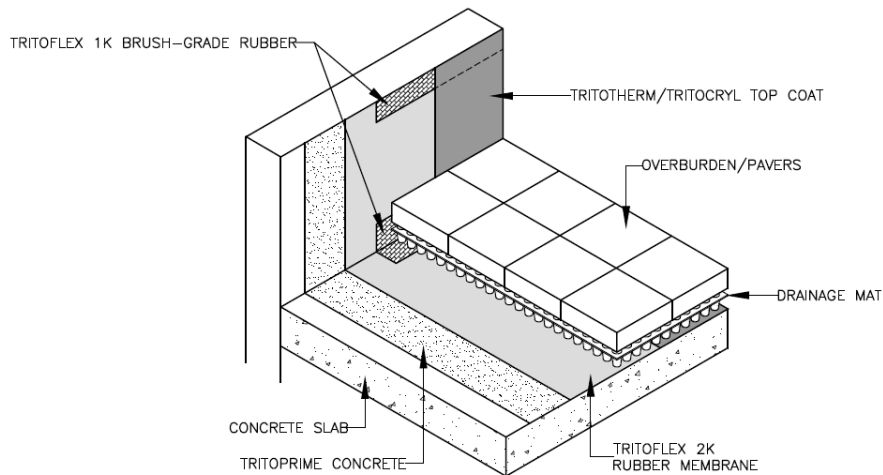
INSTALLATION GUIDE

TritoFlex 2K Rubber - Warranty Options

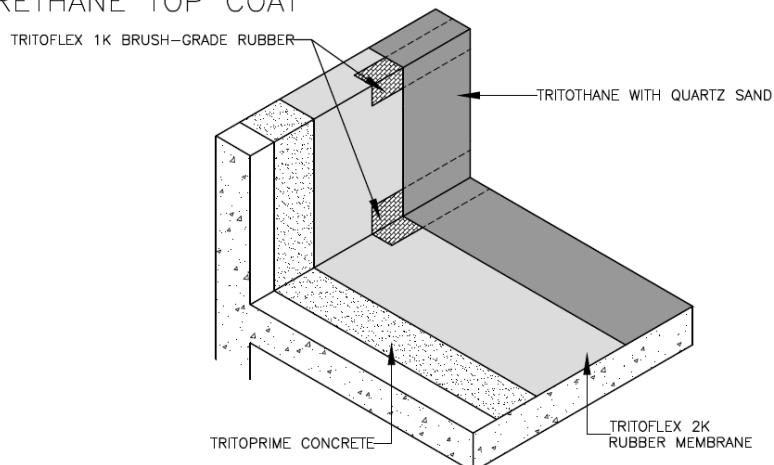
Warranty Period*	15 Years		20 Years	
	Min Dry Mils	Coverage Rate	Min Dry Mils	Coverage Rate
TritoFlex 2K Rubber	80	12 sf/gal	100	10 sf/gal

**Custom-tailored, single-source warranties are available*

PLAZA DECK WITH OVERBURDEN



PLAZA DECK WITH URETHANE TOP COAT



INSTALLATION GUIDE

TritoFlex 2K Rubber System

The TritoFlex 2K rubber membrane is ideal for creating a durable, monolithic waterproofing component for a plaza deck system. TritoFlex 2K withstands ponding water indefinitely and is cold spray-applied to any thickness in one coat. A variety of design options can be used on top of TritoFlex, from pavers and pedestals to a urethane with a decorative quartz finish.

Advantages:

- ✓ Withstands ponding water indefinitely
- ✓ Sprayed to any thickness
- ✓ Water-based, no VOC's, no odor
- ✓ Potable water approved
- ✓ Safe for plants, vegetation, produce
- ✓ Over 1,000 % elongation and very durable
- ✓ Cold spray-applied, no hot kettles or torches

Quick Guide

Inspection

- Check the existing substrate for areas of damage or deterioration that may need repaired
- If applying over concrete, check for moisture content using the plastic sheet method

Preparation

- Pressure wash entire surface to ensure roof is free of moisture, loose dirt, oils, grease, and debris. If applying over new concrete, use high pressure blasting to clean the surface.
- Over bare concrete, apply TritoFlex 2K liquid with no Accelerator as a primer coat and allow to dry. Over other substrates or existing roofing materials, refer to substrate-specific guidelines.

Application

- Spray apply TritoFlex 2K at minimum mil thickness specified, starting at the low spots. Check for proper millage using the Triton mil thickness gauge. Re-spray spot where measurements are taken immediately to seal. If thickness was low, re-spray over area and measure again.
- Apply TritoFlex 1K Brush-Grade to seal edges of flashings, 90-degree angles, curbs, pipes, and where any visual imperfections existing. Apply at 97 wet/60 dry mils
- After TritoFlex products have fully dried, rinse off dried surface accelerator and perform water flood test
- Installation of specified protection course, drainage mat, pedestals, pavers, etc. commences after the waterproofing is installed
- If overburden is not installed, apply TritoThane aliphatic urethane to specified thickness. Embed specified quartz sand into the wet surface for a decorative, anti-slip finish.