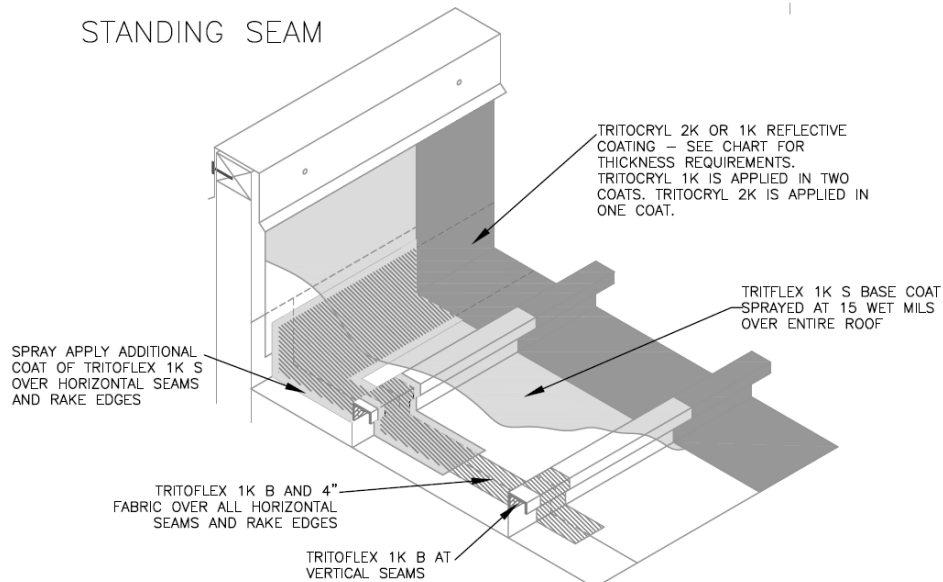
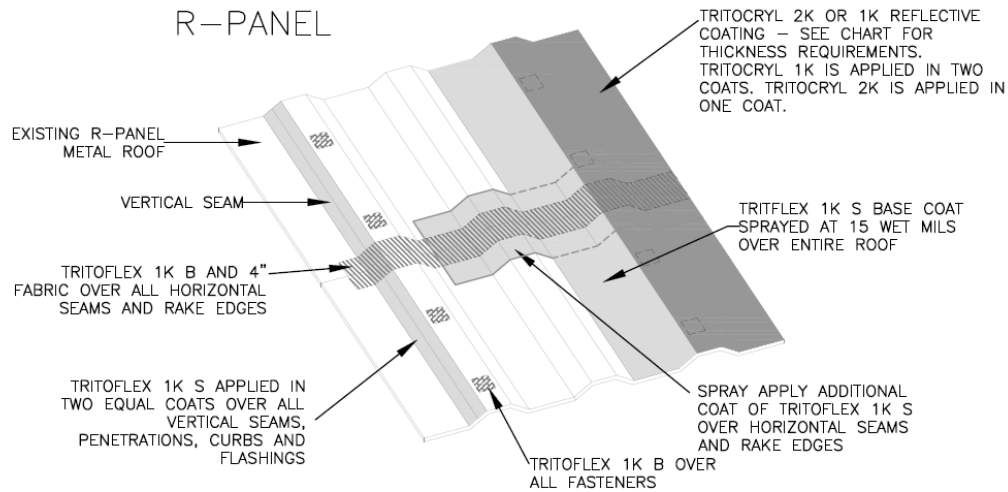


RESTORATION GUIDE

TritoFlex™ 1K S Rubber – Metal Roof Restoration System

Warranty Period	10 Years		15 Years		20 Years	
	Min Dry Mils	Coverage Rate	Min Dry Mils	Coverage Rate	Min Dry Mils	Coverage Rate
TritoFlex 1K S Sealcoat	10	100 sf/gal	15	75 sf/gal	15	75 sf/gal
TritoFlex 1K Pre-Detail	60	17 sf/gal	80	12 sf/gal	100	9 sf/gal
Acrylic Top Coat	20	2 gal/100 sf	30	3 gal/100 sf	40	4 gal/100 sf



RESTORATION GUIDE

TritoFlex™ 1K Roof Restoration System

The non-toxic, industrial-grade TritoFlex™ 1K roof restoration system is ideal for restoring all types of metal or steel roofs when they are worn-out and leaking. Using a liquid restoration avoids a costly, disruptive tear-off. The Triton system is water-based, lightweight, and applied quickly. The liquid rubber product forms a thick, durable, non-breathable, and highly elastic membrane that conforms over joints, fasteners, flashings, and other awkward shapes. The bright white TritoCryl™ topcoat is then applied to complete the energy efficient restoration.

Advantages:

- ✓ Roof can be renewed indefinitely
- ✓ Non-disruptive and odor-free installation
- ✓ Rust-inhibiting and anti-corrosive
- ✓ Rubber withstands underlying movements
- ✓ Seamless, self-terminating
- ✓ Reduces thermal shock
- ✓ Class A fire rating
- ✓ Leak-free warranty

Quick Guide

Inspection

- Check the existing substrate for areas of damage or deterioration
- Check for proper adequate slope and proper drainage

Cleaning & Repairs

- Seam gaps of 1/8" or more should be stitched as tight as possible
- Loose screws must be replaced with oversized fasteners
- Pressure wash entire surface to ensure roof is free of moisture, loose dirt, grease, and debris
- HVAC condensate drains shall be properly routed to roof drains or plumbed off roof

Pre-Detailing Application

- Spray apply TritoFlex 1K S into all vertical seams in 2 coats, 25 wet/15 dry mils per coat. 2-3 hour dry time between coats. For vertical leg seams, use TritoFlex 1K B.
- Brush apply TritoFlex 1K B over all horizontal seams and rake edge, embedding 4" polyester

fabric in the 1K B, at 50 wet/30 dry mils.

- Brush apply TritoFlex 1K B around all fasteners.
- After TritoFlex 1K B is fully cured, spray apply additional coat of TritoFlex 1K S to all horizontal seams, rake edge, and fasteners at 25 wet/15 dry mils
- Spray apply TritoFlex 1K S in 2 coats, 50 wet/30 dry mils each, around all penetrations, curbs, and flashings. 2-3 hour dry time between coats.
- Additional coats needed for longer warranties.

Seal Coat

- After products have fully cured, spray apply TritoFlex 1K S over entire roof at 15 wet/10 dry mils

Top Coat

- After surface is fully dried, apply first coat of TritoCryl 1K reflective top coat to all roof surfaces. Apply to 15 wet/10 dry mils per coat. If TritoCryl 2K is used, apply in one coat at 30 wet/20 dry mils minimum.
- Apply second coat of top coat to 15 wet/10 dry mils. Prevent water from ponding for 48 hours.