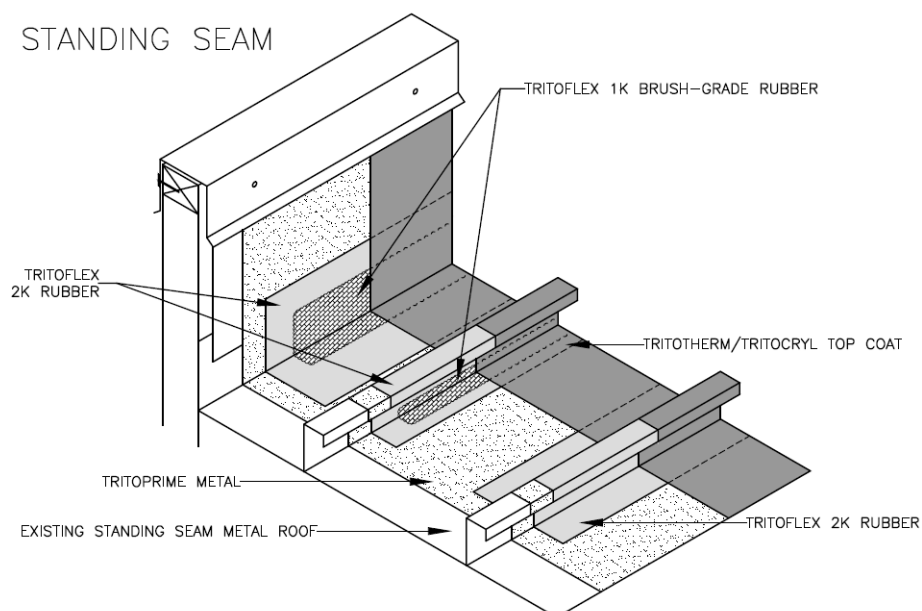
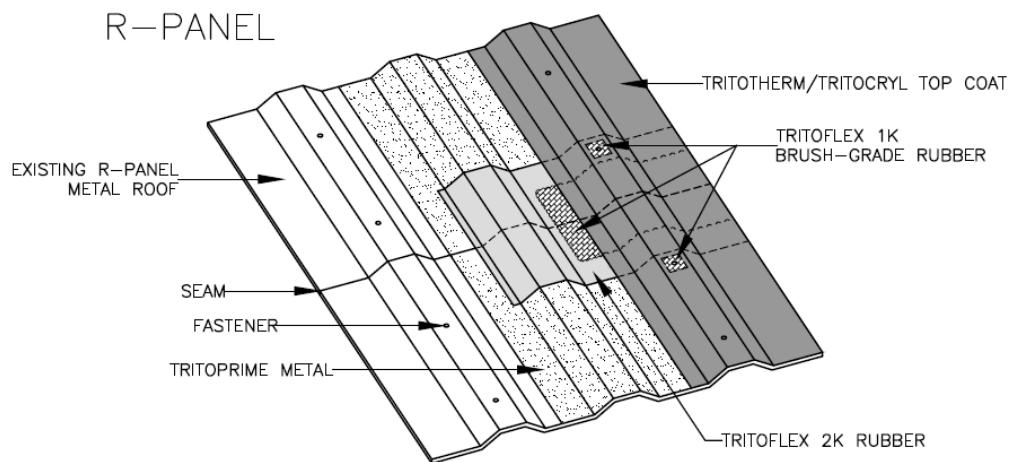


# RESTORATION GUIDE

## TRITOFLEX™ Rubber – Roof Restoration System

<i>Warranty Period</i>	10 Years		15 Years	
	<i>Min Dry Mils</i>	<i>Coverage Rate</i>	<i>Min Dry Mils</i>	<i>Coverage Rate</i>
<i>TritoFlex 2K Rubber</i>	60	16 sf/gal	80	12 sf/gal
<i>Acrylic Top Coat</i>	20	2 gal/100 sf	30	3 gal/100 sf



# RESTORATION GUIDE

---

## TRITOFLEX™ Roof Restoration System

The TritoFlex™ 2K seamless rubber roof system is ideal for restoring all types of metal or steel roofs when they are worn-out and leaking. Using a liquid restoration avoids a costly, disruptive tear-off. The Triton system is non-toxic, lightweight and applied quickly. The liquid rubber product forms a thick, durable, non-breathable, and highly elastic membrane that conforms over joints, fasteners, flashings, and other awkward shapes. The bright white TritoCryl™ 2K topcoat is then applied to complete the energy efficient restoration.

### Advantages:

- ✓ Roof can be renewed indefinitely
- ✓ Non-disruptive and odor-free installation
- ✓ Rust-inhibiting primer
- ✓ Instantly rain-resistant
- ✓ Rubber withstands underlying movements
- ✓ Seamless, self-terminating
- ✓ Reduces thermal shock
- ✓ Class A fire rating
- ✓ Leak-free warranty

## Quick Guide

### Inspection

- Check the existing substrate for areas of damage or deterioration
- Check for proper adequate slope and proper drainage

### Preparation

- Seam gaps of 1/8" or more should be stitched as tight as possible
- Loose screws must be replaced with oversized fasteners
- Pressure wash entire surface to ensure roof is free of moisture, loose dirt, grease, and debris
- Spray apply TritoFlex 2K liquid rubber with *no* accelerator/catalyst at 10 wet mils to all bare metal surfaces with a roller or airless sprayer at 200 sf/gallon
- HVAC condensate drains shall be properly routed to roof drains or plumbed off roof

### Application

- Spray apply TritoFlex 2K at minimum 130 mils wet/80 mils dry on all seams, joints, flashings, penetrations, and transitions. Spray horizontal joints at 1' OC and vertical at 2" OC.
- Check for proper millage using the Triton mil thickness gauge. Re-spray spot where measurements are taken immediately to seal. If thickness was low, re-spray over area and measure again.
- Apply TritoFlex 1K Brush-Grade on all fasteners and as an additional sealant on flashings, penetrations, and where any visual imperfections existing. Apply at 97 wet/60 dry mils.
- After TritoFlex products have fully cured and dried, rinse off dried surface accelerator.
- After surface is fully dried, apply first coat of TritoCryl 1K/2K or TritoTherm reflective top coat. If spraying, back-roll the first coat and apply to 15 wet/10 dry mils.
- Apply second coat of top coat to 15 wet/10 dry mils. Prevent water from ponding for 48 hours.
- When using TritoCryl 2K as the top coat, only one coat is needed at minimum 30 wet/20 dry mils