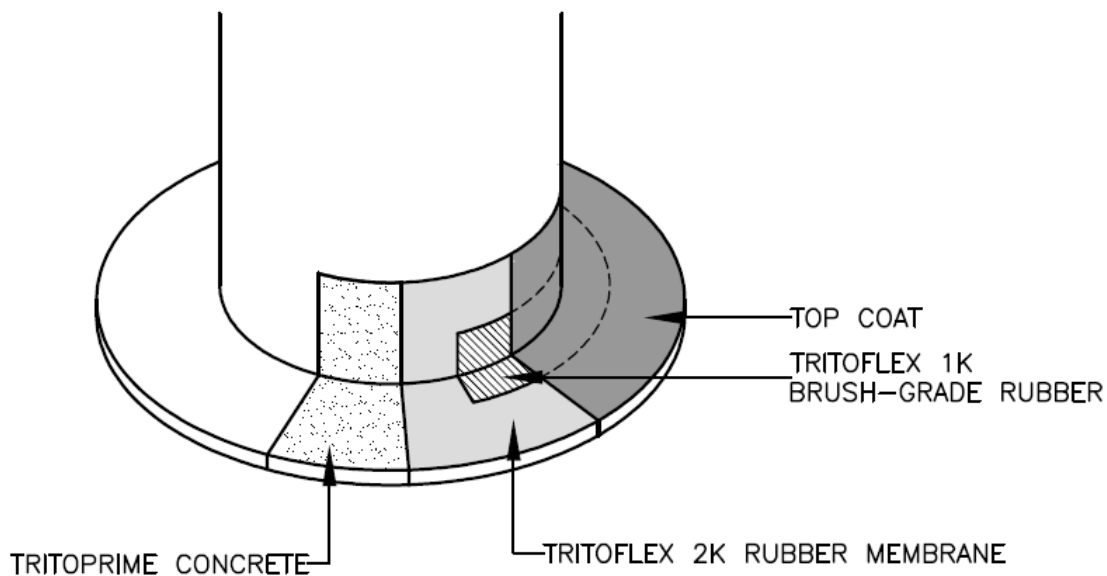


# INSTALLATION GUIDE

## TritoFlex 2K Rubber - Warranty Options

<i>Warranty Period*</i>	15 Years		20 Years	
	<i>Min Dry Mils</i>	<i>Coverage Rate</i>	<i>Min Dry Mils</i>	<i>Coverage Rate</i>
<i>TritoFlex 2K Rubber</i>	80	12 sf/gal	80	10 sf/gal
<i>Top Coat</i>	20	50 sf/gal	30	35 sf/gal



# INSTALLATION GUIDE

---

## TritoFlex 2K Rubber System

The TritoFlex 2K Rubber material is designed to protect the foundations of large wind turbines, silos, and more from moisture and chemicals. TritoFlex is an impermeable membrane with an ability to withstand structural movements due to extreme flexibility and high tensile strength. Additionally, TritoFlex acts as a protective barrier against salt-spray, acids, and more.

### Advantages:

- ✓ Withstands ponding water indefinitely
- ✓ Sprayed to any thickness in one coat
- ✓ Water-based, no VOC's
- ✓ Rated for heavy impact
- ✓ Crack-bridging technology
- ✓ Extremely flexible and durable
- ✓ Resistant to acids, salts, and other chemicals

## Quick Guide

### Inspection

- Check the existing substrate for areas of damage or deterioration that may need repaired
- If applying over concrete, check for moisture content using the plastic sheet method

### Preparation

- Pressure wash entire surface to ensure roof is free of moisture, loose dirt, oils, grease, and debris. If applying over new concrete, use high pressure blasting to clean the surface.
- Over concrete, apply TritoPrime Concrete sealer. Apply with roller or airless sprayer.
- Over any bare metal surfaces, apply TritoPrime Metal using a brush, roller, or airless sprayer.

### Application

- Spray apply TritoFlex 2K at minimum mil thickness specified. Check for proper millage using the Triton mil thickness gauge. Re-spray spot where measurements are taken immediately to seal. If thickness was low, re-spray over area and measure again.
- Apply TritoFlex 1K Brush-Grade as an additional seal in corners and around penetrations. Apply at 97 wet/60 dry mils
- After TritoFlex products have fully dried, rinse off dried surface accelerator and perform water flood test
- Install specified top coat. TritoCryl 1K is applied in two coats, 15 wet mils each.
- TritoCryl 2K is applied in one coat, 30 mils wet minimum
- TritoThane is applied in one coat, embedding quartz/silica sand in the wet layer