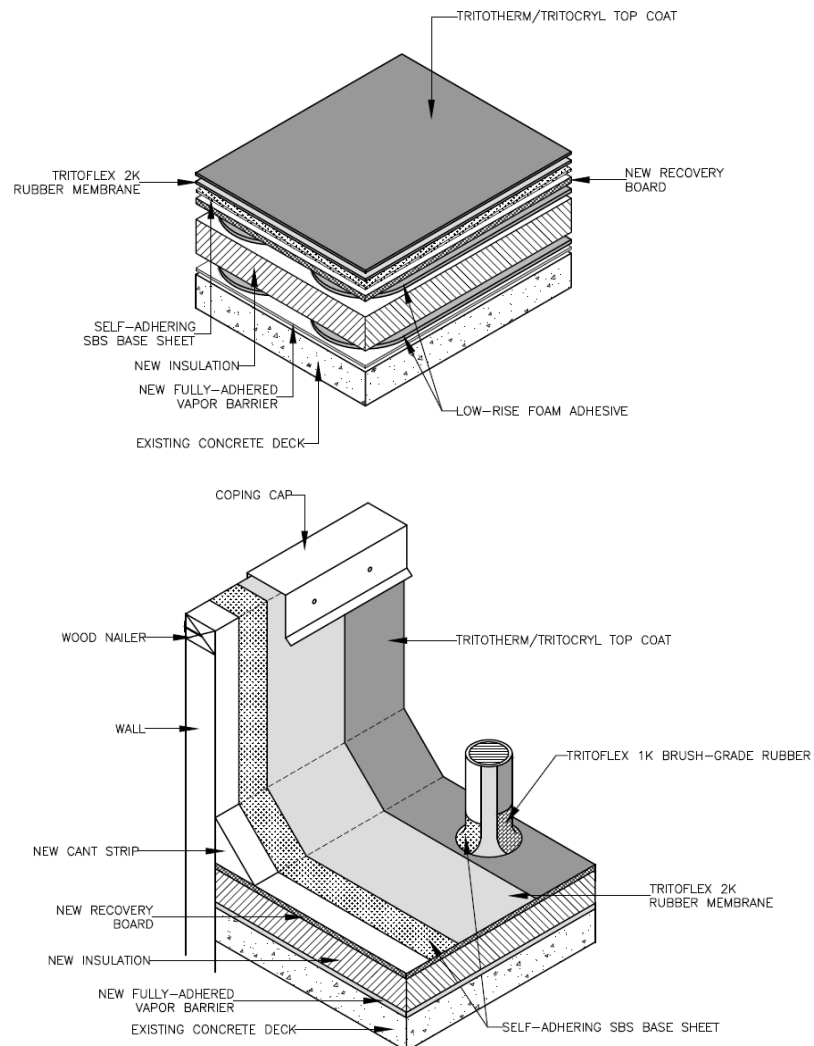


INSTALLATION GUIDE

TritoFlex 2K Rubber - Warranty Options

Warranty Period	10 Years		15 Years		20 Years	
	Min Dry Mils	Coverage Rate	Min Dry Mils	Coverage Rate	Min Dry Mils	Coverage Rate
TritoFlex 2K Rubber	60	17 sf/gal	80	12 sf/gal	80	12 sf/gal
Top Coat	20*	50 sf/gal	20	50 sf/gal	30	35 sf/gal
Granulated 1K	10	-	-	-	-	-

*Acrylic top coat is required for any warranty in DOE Zones 1-4



INSTALLATION GUIDE

TritoFlex 2K Rubber System

When a tear-off is inevitable or a new roof is being constructed, the TritoFlex 2K Rubber roofing membrane combines with a self-adhering bitumen base sheet to create an extremely tough, durable, and long-lasting hybrid 2-ply roofing system. Finished with one of Triton's many reflective, energy-efficient top coats, this roof system has been consistently specified by NASA and many others.

Advantages:

- ✓ New roof can be renewed indefinitely
- ✓ Non-disruptive and odor-free installation
- ✓ Over 1200% elongation, combined with 575 psi tensile strength
- ✓ Remains flexible in sub-zero temps
- ✓ FM tested and approved
- ✓ Seamless, self-terminating
- ✓ Redundant, tough 2-ply system
- ✓ Extremely durable and long-lasting

Quick Guide

Inspection

- Check existing decks for areas of damage or deterioration
- Repair or replace areas of damaged or deteriorated decking on existing buildings

Installation

- On concrete decks, install specified vapor barrier. TritoFlex 2K Rubber can be utilized as an impermeable vapor barrier and temporary waterproofing at 40 mils dry (1 mm)
- Install specified insulation, either fully adhered with low-rise foam adhesive or mechanically attached
- Install specified cover board in same manner as insulation and ensure temporary waterproofing is used at the end of each day to protect insulation from moisture
- Install self-adhering SBS base sheet, approved by Triton Inc. and installed per manufacturer's specifications
- Spray apply TritoFlex 2K at minimum mil thickness specified. Check for proper millage using the Triton mil thickness gauge. Re-spray

spot where measurements is taken immediately. If thickness was low, re-spray over area and measure again.

- After membrane has fully dried, rinse off dried surface accelerator.
- Apply TritoFlex 1K Brush-Grade to seal edges of flashings, 90-degree angles, curbs, pipes, and where any visual imperfections existing. Apply at 97 wet/60 dry mils.
- After TritoFlex 1K is fully cured, apply first coat of TritoCryl or TritoTherm reflective top coat. If spraying, back-roll the first coat and apply to 15 wet/10 dry mils.
- When using TritoCryl 2K as the top coat, only one coat is needed.
- Apply second coat of acrylic to 15 wet/10 dry mils. Prevent water from ponding for 48 hours.
- If applying a granulated top coat, embed 50 lbs. of granules every 100 sf into a wet 15 mil layer of TritoFlex 1K Spray-Grade